

Designed by Gio Ponti

PRODUCT



Item no.: 64002-04

COLOURS



// Polished Brass

DESCRIPTION

The F.A.33 mirror was originally designed by the legendary designer Gio Ponti in 1933 for that period's most prominent lamp and glass manufacturer FontanaArte, which Ponti and Pietro Chiesa founded a couple of years earlier. With its pure and light curved shape and iconic expression, the timeless F.A.33 mirror adds a gentle touch of elegance to any interior style. The mirror comes in two different sizes, full length and half length, making it possible to be used in any room as a classic mirror or a striking decorative design element.

The mirror consists of a frame made from 1,4 mm solid brass profile with thin transparent lacquer coating on top, 4 mm mirror glass according to EN 1036-2 and 16 mm chipboard.

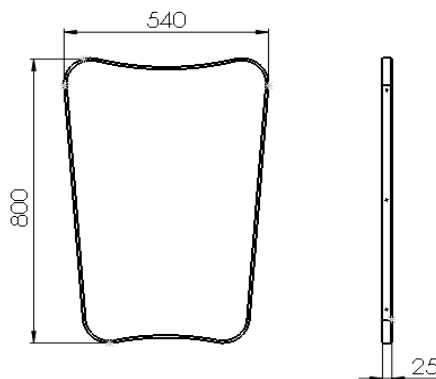
VERSION

- Polished brass / mirror glass

MIRROR VERSION

Series contains the following:

Medium 80 x 54 cm, Large 146 x 69 cm



FACTS

MEASUREMENT - L x W cm

Size: L:80 x W:54 cm

Depth: 2,5 cm

Top width: 54 cm

Bottom width: 44 cm

WEIGHT ITEM

8,6 kg

PACKAGING TYPE

Cardboard box with polystyrene inlay

PACKAGING MEASUREMENT - L x W x H cm

L: 92 x W: 67 x H: 9 cm

WEIGHT PACKAGING - MATERIAL TYPE

- Delivery note: 10 g
- Certificate: 15 g
- Assembly instructions: 10 g
- Paper sheet: 10 g
- PE poly inlay: 800 g
- Cardboard box: 1100 g

WEIGHT PACKAGING - TOTAL

1,9 kg

NUMBER OF PARCELS

1 pcs.

ACCESSORIES

-

CLEANING AND MAINTENANCE

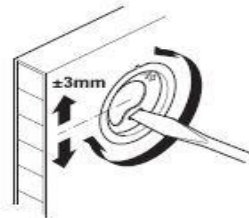
For dusting and light cleaning of the frame use a soft, dry cloth.
 For further cleaning of the mirror frame, use a soft cloth that is firmly wrung in clean water for gently wiping the surface, and then immediately use a dry cloth to wipe the surface again.
 If more thorough cleaning is necessary, use a mild detergent or washing-up liquid dissolved in water on a firmly wrung cloth to wipe the mirror. Afterwards, repeat the process with clean water as described above.

ENVIRONMENT

Parts can be separated and sorted for recycling.

INSTALLATION INSTRUCTIONS

On the back of the mirror there are placed two adjustable mounting fittings.
 They are placed along one of the short and long sides on t back of the mirror with an internal distance of 280 mm.
 The mounting fitting can be adjust up and down +/- 3 mm for the mirror to hang completely horizontal.



Instruction for mounting in different types of wall.

